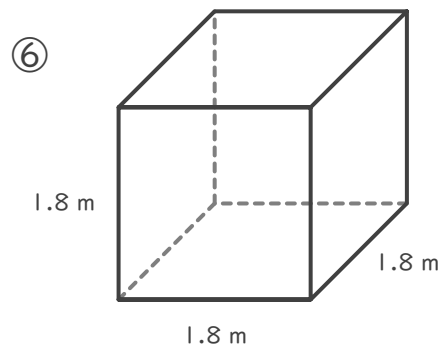
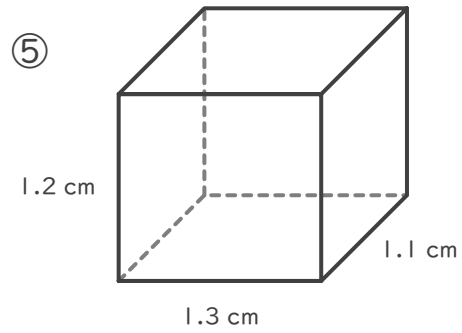
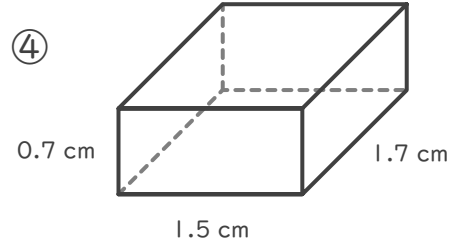
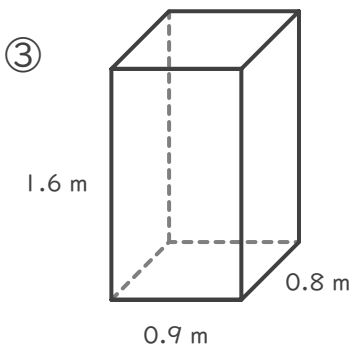
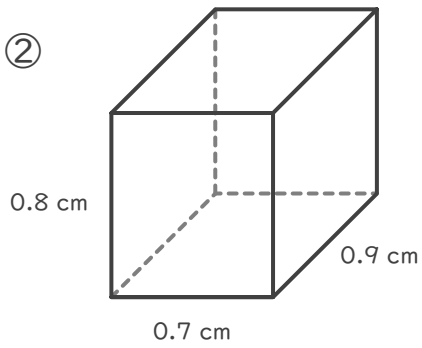
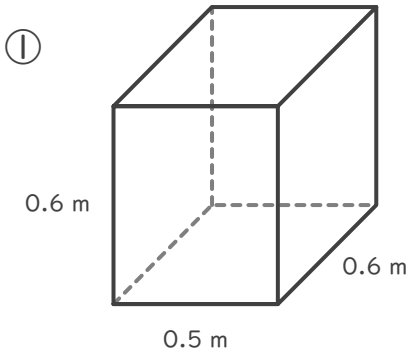
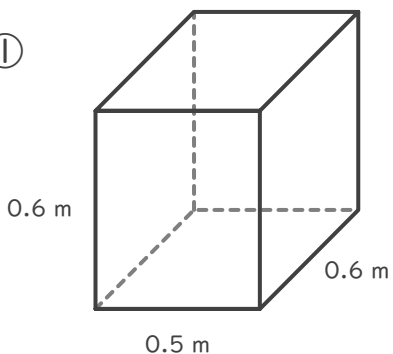


■ 次の直方体や立方体の体積を求めましょう。



■ 次の直方体や立方体の体積を求めましょう。

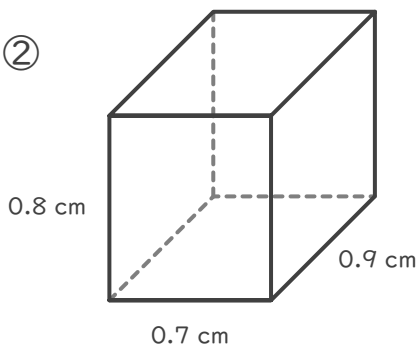
①



$$0.6 \times 0.5 \times 0.6 = 0.18$$

$$0.18 \text{ m}^3$$

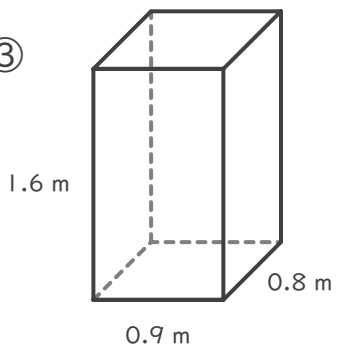
②



$$0.9 \times 0.7 \times 0.8 = 0.504$$

$$0.504 \text{ cm}^3$$

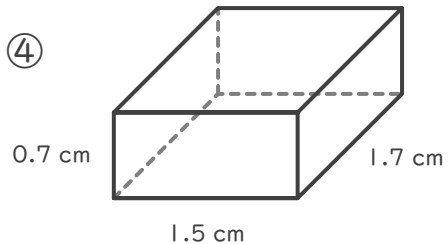
③



$$0.8 \times 0.9 \times 1.6 = 1.152$$

$$1.152 \text{ m}^3$$

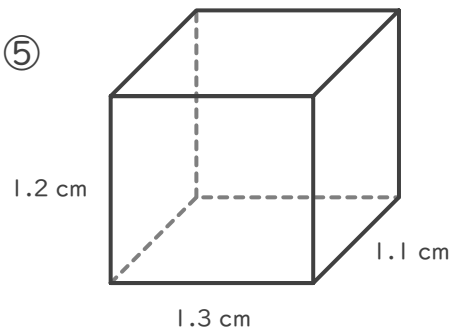
④



$$1.7 \times 1.5 \times 0.7 = 1.785$$

$$1.785 \text{ cm}^3$$

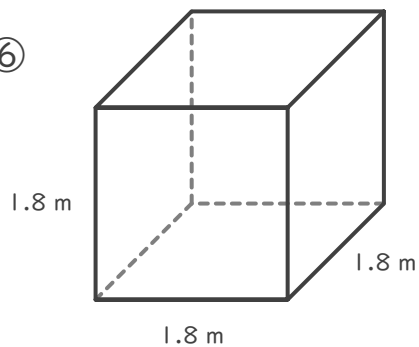
⑤



$$1.1 \times 1.3 \times 1.2 = 1.716$$

$$1.716 \text{ cm}^3$$

⑥



$$1.8 \times 1.8 \times 1.8 = 5.832$$

$$5.832 \text{ m}^3$$