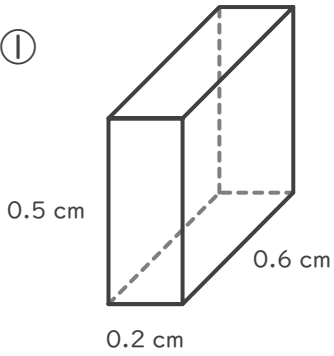
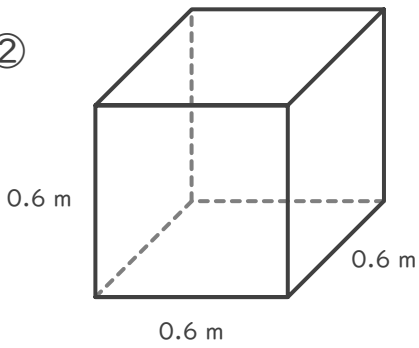


■ 次の直方体や立方体の体積を求めましょう。

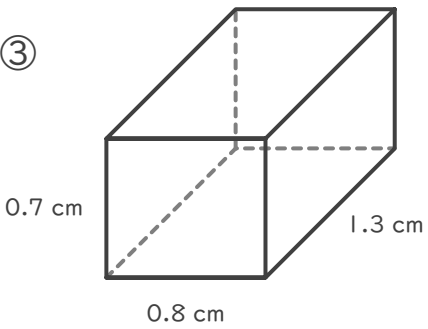
①



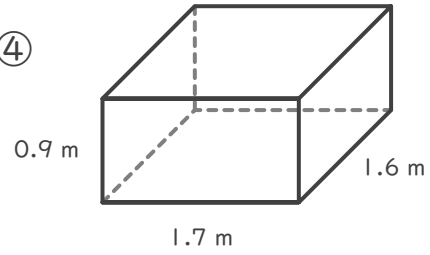
②



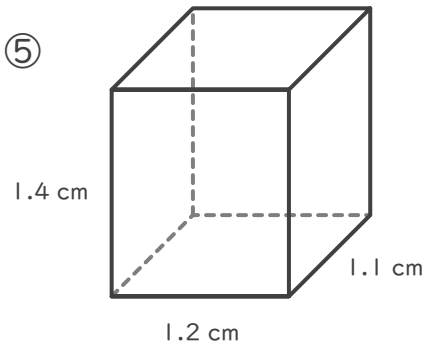
③



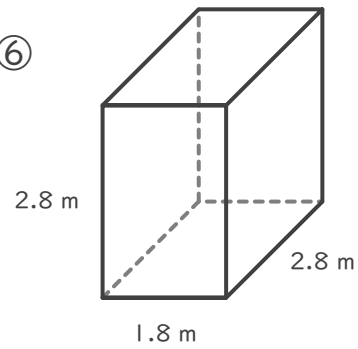
④



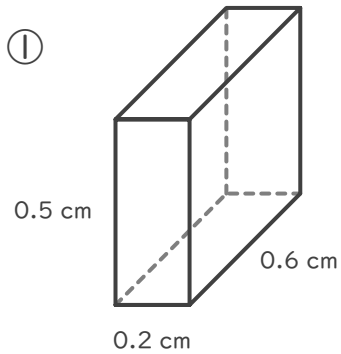
⑤



⑥

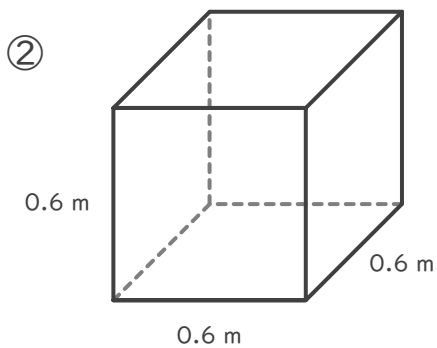


■ 次の直方体や立方体の体積を求めましょう。



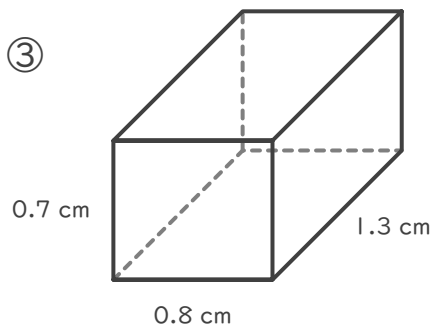
$$0.6 \times 0.2 \times 0.5 = 0.06$$

$$0.06 \text{ cm}^3$$



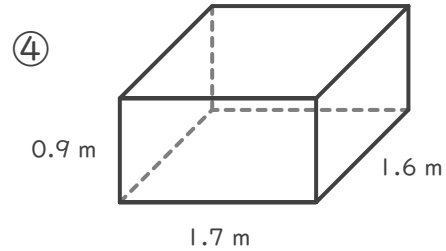
$$0.6 \times 0.6 \times 0.6 = 0.216$$

$$0.216 \text{ m}^3$$



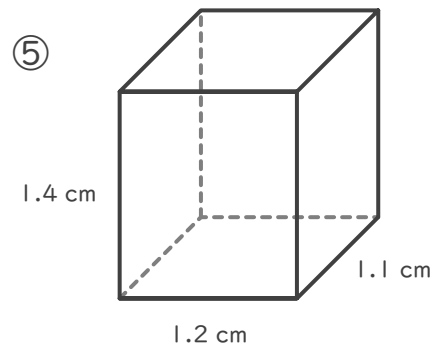
$$1.3 \times 0.8 \times 0.7 = 0.728$$

$$0.728 \text{ cm}^3$$



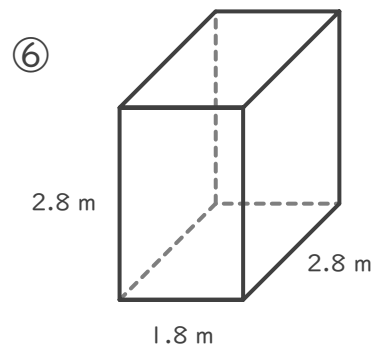
$$1.6 \times 1.7 \times 0.9 = 2.448$$

$$2.448 \text{ m}^3$$



$$1.1 \times 1.2 \times 1.4 = 1.848$$

$$1.848 \text{ cm}^3$$



$$2.8 \times 1.8 \times 2.8 = 14.112$$

$$14.112 \text{ m}^3$$