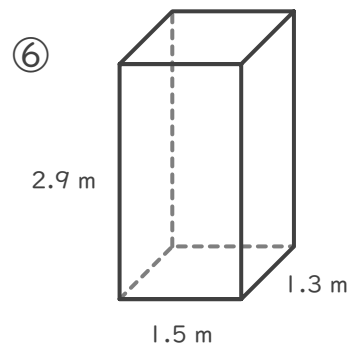
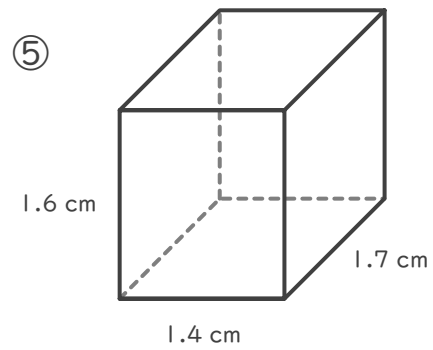
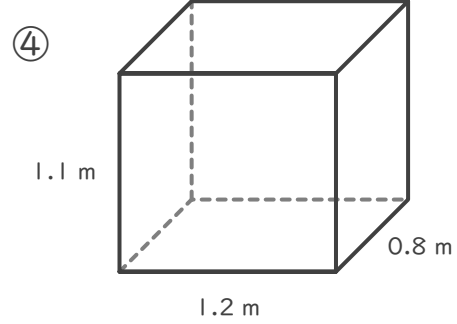
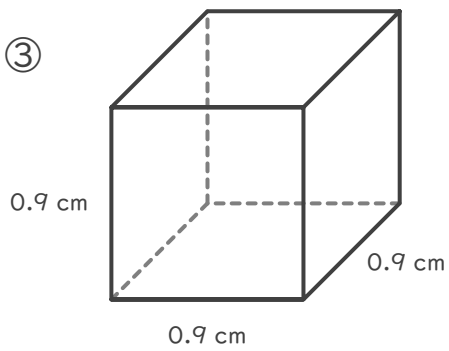
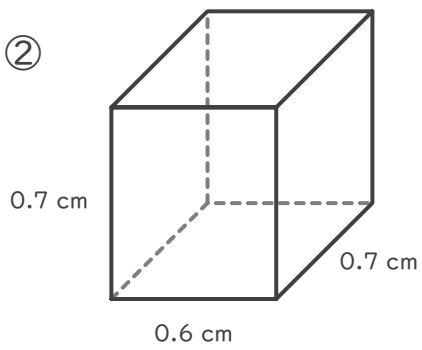
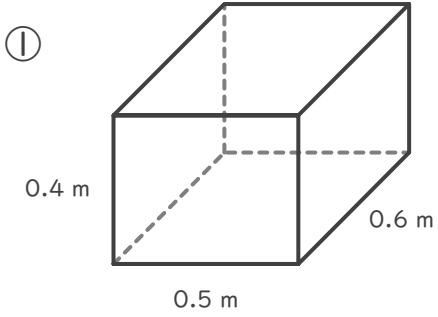
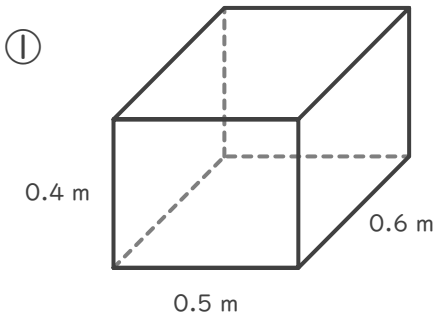


■ 次の直方体や立方体の体積を求めましょう。

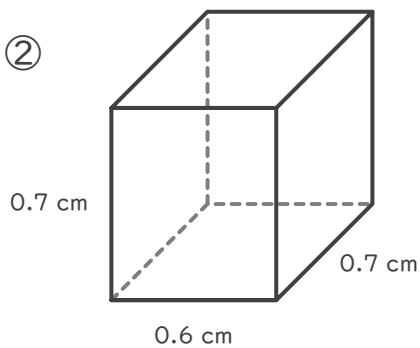


■ 次の直方体や立方体の体積を求めましょう。



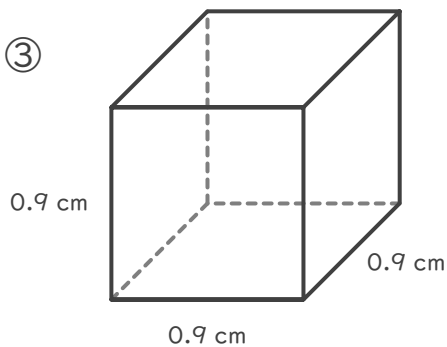
$$0.6 \times 0.5 \times 0.4 = 0.12$$

$$0.12 \text{ m}^3$$



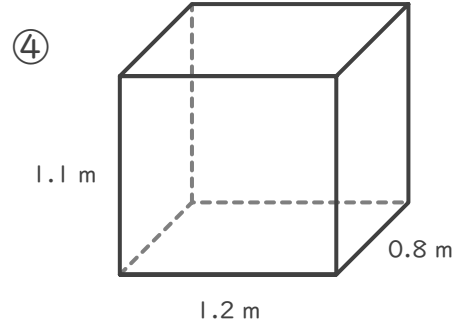
$$0.7 \times 0.6 \times 0.7 = 0.294$$

$$0.294 \text{ cm}^3$$



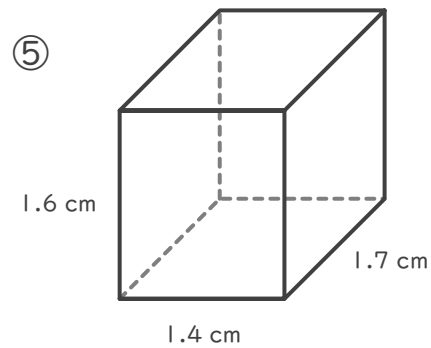
$$0.9 \times 0.9 \times 0.9 = 0.729$$

$$0.729 \text{ cm}^3$$



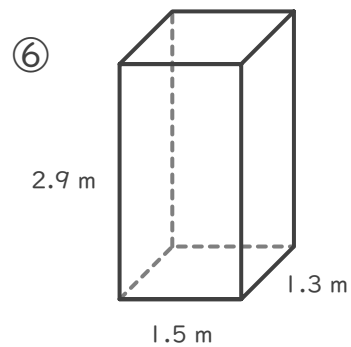
$$0.8 \times 1.2 \times 1.1 = 1.056$$

$$1.056 \text{ m}^3$$



$$1.7 \times 1.4 \times 1.6 = 3.808$$

$$3.808 \text{ cm}^3$$



$$1.3 \times 1.5 \times 2.9 = 5.655$$

$$5.655 \text{ m}^3$$