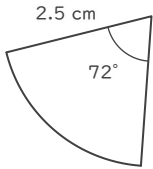


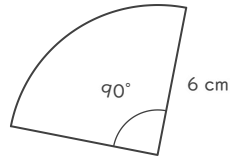
■ つぎの おうぎ形 のまわりの長さを求めましょう。

①



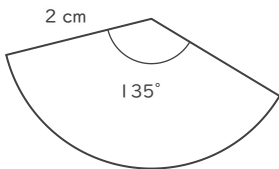
(式)

②



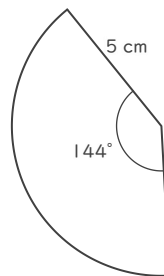
(式)

③



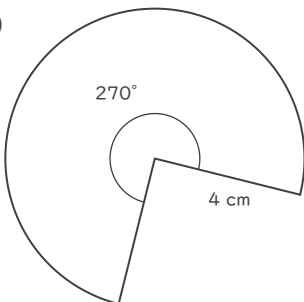
(式)

④



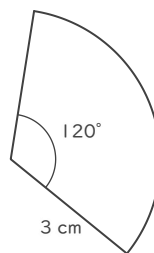
(式)

⑤



(式)

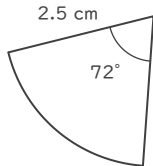
⑥



(式)

■ つぎの おうぎ形 のまわりの長さを求めましょう。

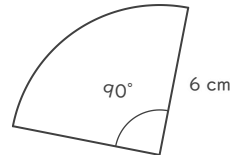
①



(式) $(2.5 \times 2) \times 3.14 = 15.7$
 $15.7 \times 72 \div 360 = 3.14$
 $3.14 + 2.5 \times 2 = 8.14$

8.14 cm

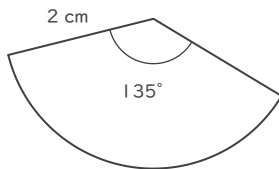
②



(式) $(6 \times 2) \times 3.14 = 37.68$
 $37.68 \times 90 \div 360 = 9.42$
 $9.42 + 6 \times 2 = 21.42$

21.42 cm

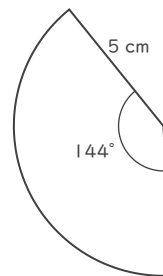
③



(式) $(2 \times 2) \times 3.14 = 12.56$
 $12.56 \times 135 \div 360 = 4.71$
 $4.71 + 2 \times 2 = 8.71$

8.71 cm

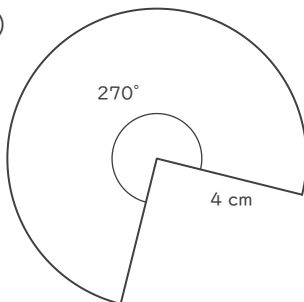
④



(式) $(5 \times 2) \times 3.14 = 31.4$
 $31.4 \times 144 \div 360 = 12.56$
 $12.56 + 5 \times 2 = 22.56$

22.56 cm

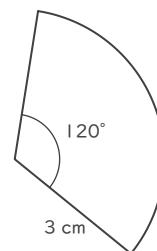
⑤



(式) $(4 \times 2) \times 3.14 = 25.12$
 $25.12 \times 270 \div 360 = 18.84$
 $18.84 + 4 \times 2 = 26.84$

26.84 cm

⑥



(式) $(3 \times 2) \times 3.14 = 18.84$
 $18.84 \times 120 \div 360 = 6.28$
 $6.28 + 3 \times 2 = 12.28$

12.28 cm